

Control Contactor Astronomical Timer

AC42-2501

Applications

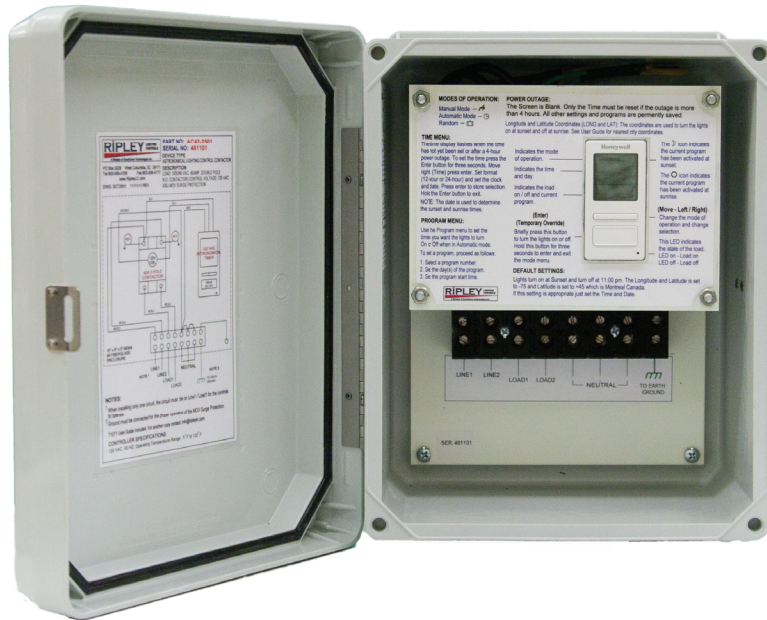
- Highways
- Parking Lots
- Secure Areas
- Industrial Plants
- Schools
- Airports
- Stadiums
- Billboards

Rugged Durable Design
Proven Performance
Real World Tested
Consistent Reliability
Quality Components
Maintenance Friendly

To see our full product line,
specification sheets and more,
go to www.ripleylightingcontrols.com

Phone: (803) 939-4700
Fax: (803) 939-4777
Email: info@RipleyLightingControls.com

www.RipleyLightingControls.com



Specifications

- Lighting Contactor
- 120/240 VAC
- 40 AMP
- 2 Pole
- Honeywell RPLS 740B Timer
- Supply Side (Line) Breaker
- MOV Surge Protection
- Termination Strip
- Control (Pilot) Voltage 120 VAC
- NEMA 1 Indoor Enclosure (10"x8"x5")

CC

40

2

User Options

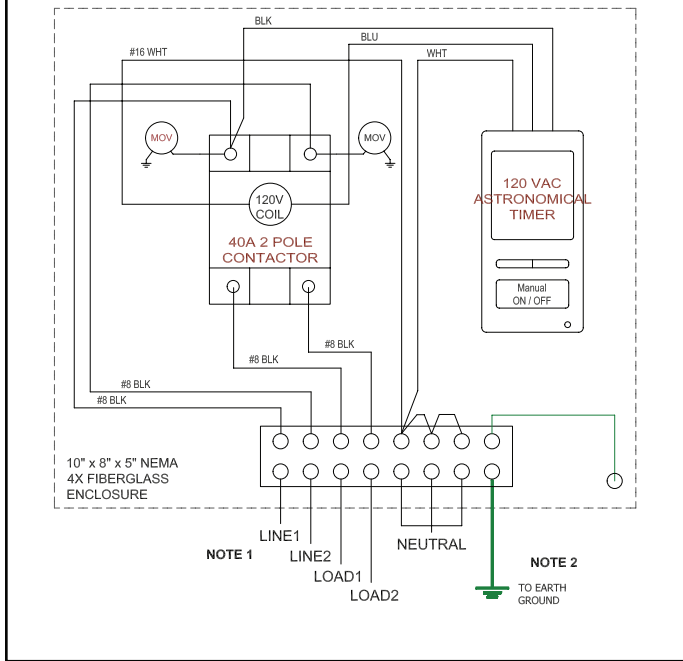
120/240

Technical Information Continued on Next Page

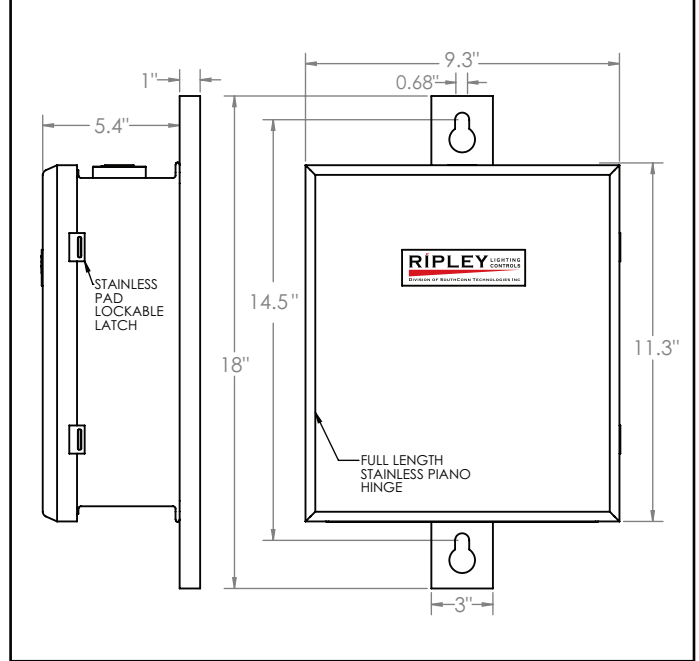


Control Contactor Astronomical Timer

Electrical Information



Mechanical Information



AC42-2501

Amps (Per Pole)	40
Poles	2
Supply Voltage (Line)	120/240 VAC
Control Voltage (Pilot)	120
Pilot Type	Honeywell T1071 Timer
Switches	Not Applicable
Circuit Load Protection	Not Applicable
Surge Protection	MOV Internal
Wiring Termination Block	Wiring Termination Strip
Enclosure	NEMA 1 Indoor Enclosure
Enclosure Dimensions	10"x8"x5"
Contactor Type	Electromechanical Contactor, N.O.

CC

40

2

User Options

120/240

Ripley Lighting Controls partnering with industry leaders assuring highest quality products.

Meets or exceeds rigid quality requirements of Ripley Lighting Controls

Phone: (803) 939-4700
 Fax: (803) 939-4777
 Email: info@RipleyLightingControls.com

© 2021 by Ripley Lighting Controls, a Unit of Electroschwitch. All rights reserved. The information in this document is provided for informational use only and is subject to change without notice.