

# 100 Amp Load Center with Lighting Control

## CC104-2208



Shown with Photocontrol  
(\*Photocontrol Sold Separately)

### Accessories

**6390-TF** Photocontrol  
**RC8744** PhotoClock™  
**6005** Shorting Cap

To see our full product line,  
specification sheets and more,  
go to [www.ripleylightingcontrols.com](http://www.ripleylightingcontrols.com)

	<b>CC104-2208</b>
Enclosure	NEMA 3R, Surface Mount
Enclosure Dimensions "/>mm	18.92/481 H, 14.75/375 W, 4.52/115 D
Mains	120/240 VAC, 1-Phase, 3-Wire, 50/60 Hz
Ampere Rating	100
Short Circuit Current Rating	22K
Main Breaker Ampere Rating	100
Load Center	8 Spaces, 16 Circuits, 8 Tandems
Branch Circuit Breakers (Max.)	4-20 Amp Circuits @ 120V 1-15 Amp Control Circuit @ 120 V
Load Center and Branch Circuit Breaker Maximum Ampere Rating	100
Line Side Main Lugs AWG/kcmil (Al/Cu)	#4—2/0
Neutral Bar	100% Branch Neutrals, Unused terminals may be used for equipment grounding wires
Ground Bar AWG (Al/Cu)	#14—#4
Contactors	Electromechanical
Contactors Poles	2-2
Contactors Load Amps per Circuit	40
Contactors Fail Mode	Normally Open
Contactors Control Voltage	120 VAC, 50/60 Hz
Photocontrol Receptacle	Standard Twist-lock
Photocontrol Terminal Block	3 Pole, 40 A, 600 VAC, #18—10
Switches	Hand-Off-Auto

Phone: (803) 939-4700  
Fax: (803) 939-4777  
Email: [info@RipleyLightingControls.com](mailto:info@RipleyLightingControls.com)

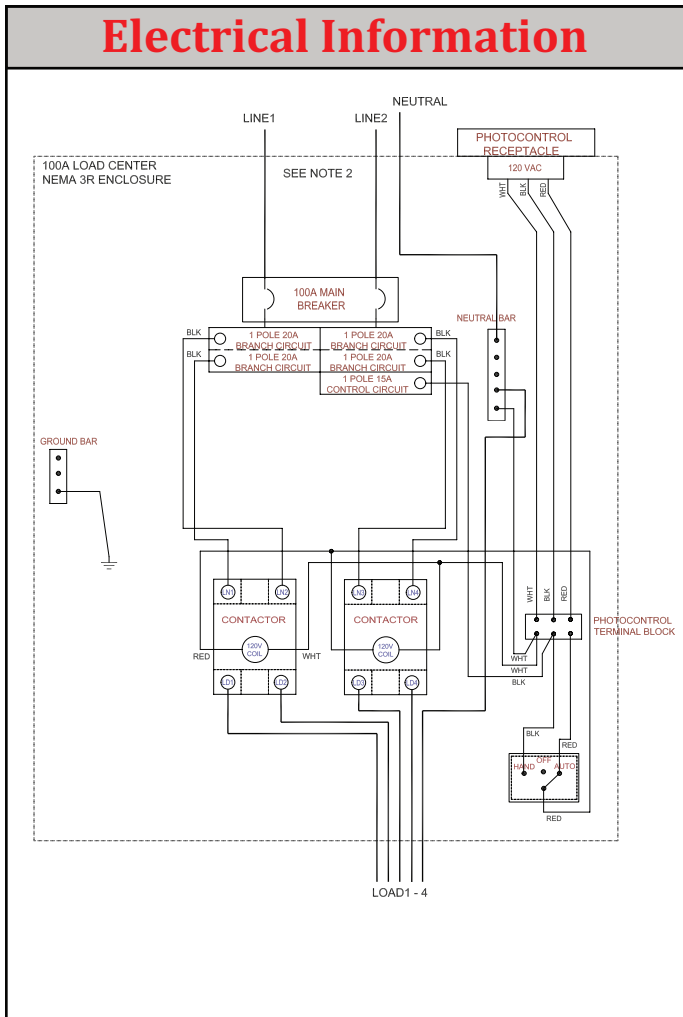
[www.RipleyLightingControls.com](http://www.RipleyLightingControls.com)

**Technical Information Continued on Next Page**

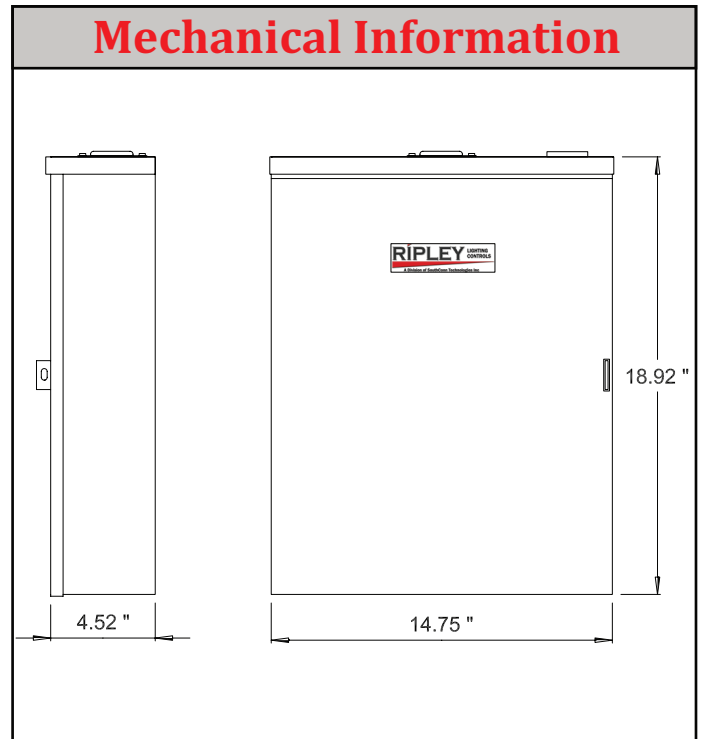
# 100 Amp Load Center with Lighting Control

## CC104-2208

### Electrical Information



### Mechanical Information



**Ripley Lighting Controls partnering with industry leaders assuring highest quality products.**

*Meets or exceeds rigid quality requirements of Ripley Lighting Controls*