

## Control Contactor Pedestal

### CC602NOCISWL1C1

### Applications

- Highways
- Parking Lots
- Secure Areas
- Industrial Plants
- Schools
- Airports
- Stadiums
- Billboards

Rugged Durable Design

Proven Performance

Real World Tested

Consistent Reliability

Quality Components

Maintenance Friendly

### Accessories

**6390-TF** Photocontrol

**RC8744** PhotoClock™

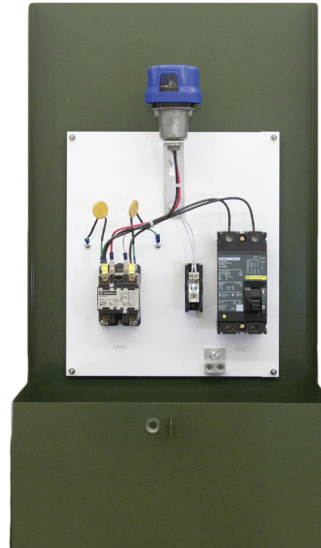
**6005** Shorting Cap

**J004068** Ground Sleeve

To see our full product line, specification sheets and more, go to [www.ripleylightingcontrols.com](http://www.ripleylightingcontrols.com)

Phone: (803) 939-4700  
Fax: (803) 939-4777  
Email: [info@RipleyLightingControls.com](mailto:info@RipleyLightingControls.com)

[www.RipleyLightingControls.com](http://www.RipleyLightingControls.com)



Shown with Photocontrol  
(Photocontrol Sold Separately)



### Specifications

- Lighting Contactor
- 120/240 VAC
- 60 AMP
- 2 Pole
- Photocontrol Receptacle\*
- Supply Side (Line) Breaker
- MOV Surge Protection
- Neutral Block & Ground Lug
- Control (Pilot) Voltage 120 VAC
- NEMA 3R Rainproof Pedestal Enclosure (45"x17"x10")
- 1/4" Clear Polycarbonate Window
- Padlockable Latch

CC

60

2

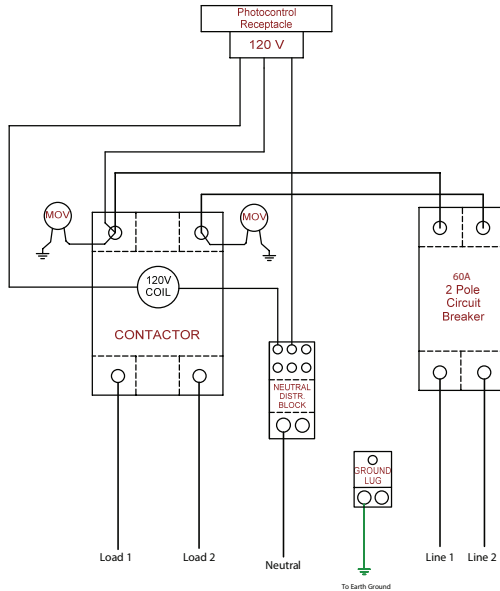
User Options

120/240

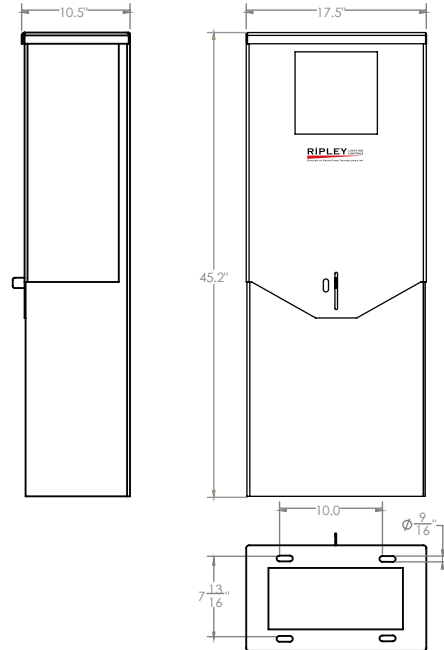
Technical Information Continued on Next Page

# Control Contactor Pedestal

## Electrical Information



## Mechanical Information



## CC602NOCISWL1C1

Amps (Per Pole)	60
Poles	2
Supply Voltage (Line)	120/240 VAC
Control Voltage (Pilot)	120
Pilot Type	Photocontrol Receptacle
Switches	Not Applicable
Circuit Load Protection	Supply Side (Line) Breaker
Surge Protection	MOV Internal
Wiring Termination Block	Neutral Block & Ground Lug
Enclosure	NEMA 3R (Rainproof) Pedestal
Enclosure Dimensions	10.5"x17.5"x45.2"
Contactor Type	Electromechanical Contactor, N.O.

Designed for underground wiring applications, powder coated in Munsell green assuring environmental blending.

**Ripley Lighting Controls partnering with industry leaders assuring highest quality products.**

*Meets or exceeds rigid quality requirements of Ripley Lighting Controls.*

CC

60

2

User Options

120/240

Phone: (803) 939-4700  
 Fax: (803) 939-4777  
 Email: info@RipleyLightingControls.com

© 2021 by Ripley Lighting Controls, a Unit of Electroschwitch. All rights reserved. The information in this document is provided for informational use only and is subject to change without notice.