

# Control Contactor Solid State Lighting Relay

## CR301NOEISWHPL1C1

### Applications

- New LED Projects
- Highways
- Parking Lots
- Secure Areas
- Industrial Plants
- Schools
- Airports
- Stadiums
- Billboards

Rugged Durable Design Proven

Performance

Real World Tested

Consistent Reliability

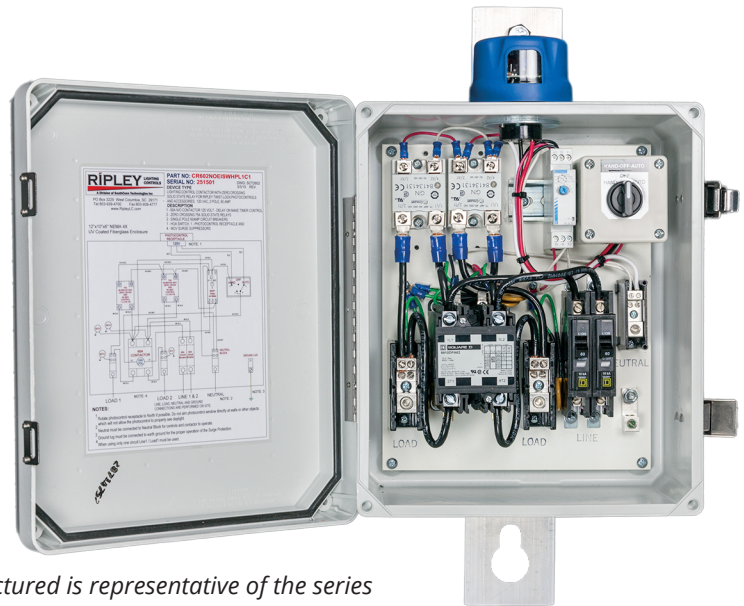
Quality Components

Maintenance Friendly

To see our full product line,  
specification sheets and more,  
go to [www.ripleylightingcontrols.com](http://www.ripleylightingcontrols.com)

Phone: (803) 939-4700  
Fax: (803) 939-4777  
Email: [info@RipleyLightingControls.com](mailto:info@RipleyLightingControls.com)

[www.RipleyLightingControls.com](http://www.RipleyLightingControls.com)



\* Unit pictured is representative of the series

### Specifications

- Lighting Contactor w/ Zero Crossing Solid State relay
- 120/240 VAC
- 30 AMP
- 1 Pole
- 360° Swivel Photocontrol Receptacle\*
- Line Side Breaker
- MOV Surge Protection on both Load and Line Side
- Control (Pilot) Voltage 120 VAC
- NEMA 4X Wall Mount Weather Proof Enclosure (12"x10"x6")
- Stainless Steel Pad lockable Latch
- Aluminum C-Channel Key slot Mounting Bracket

CR

30

1

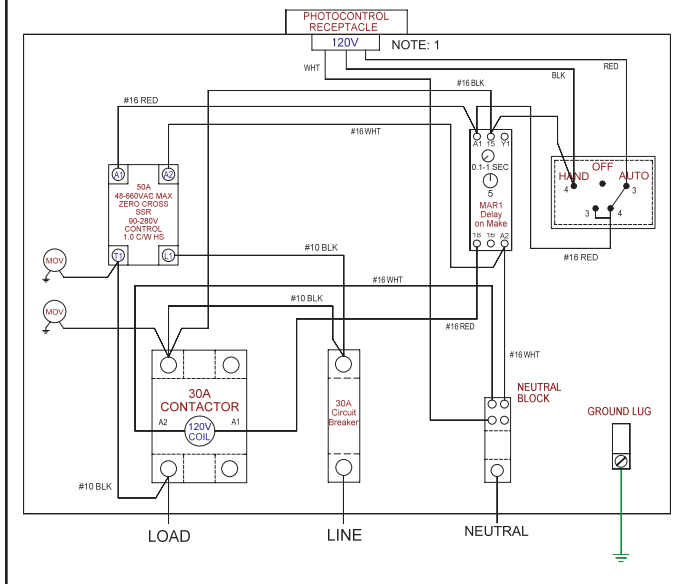
User  
Options

120/240

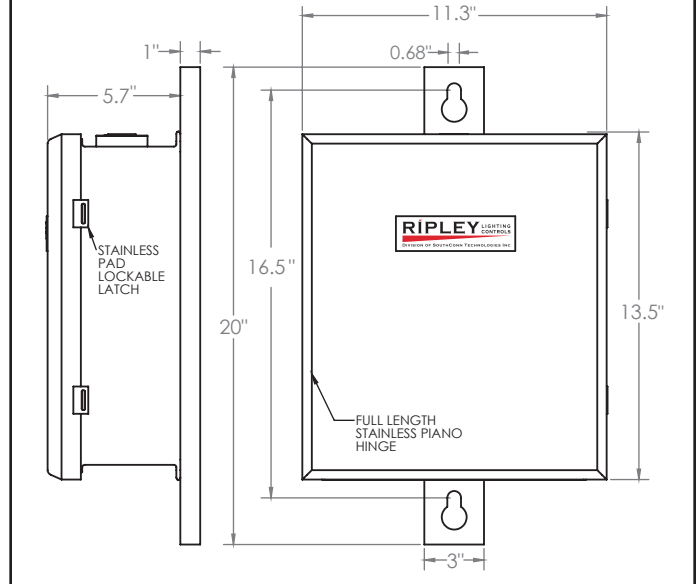
Technical Information Continued on Next Page

# Control Contactor Solid State Lighting Relay

## Electrical Information



## Mechanical Information



## CR301NOEISWHPL1C1

Amps (Per Pole)	30
Poles	1
Supply Voltage (Line)	120/240 VAC
Control Voltage (Pilot)	120
Pilot Type	360° Swivel Photocontrol Receptacle
Switches	Hand-Off-Auto
Circuit Load Protection	Supply Side (Line) Breaker
Surge Protection	MOV Line & Load Side
Wiring Termination Block	Neutral Block & Ground Lug
Enclosure	NEMA 4X (Weatherproof)
Enclosure Dimensions	12"x10"x6"
Contactor Type	Electromechanical & Solid State

**Ripley Lighting Controls**  
partnering with industry  
leaders assuring highest  
quality products.

*Meets or exceeds rigid  
quality requirements of  
Ripley Lighting Controls.*

CR

30

1

User  
Options

120/240

Phone: (803) 939-4700  
Fax: (803) 939-4777  
Email: info@RipleyLightingControls.com

© 2021 by Ripley Lighting Controls, a Unit of Electroswitch. All rights reserved. The information in this document is provided for informational use only and is subject to change without notice.