

Game Court Timer Control

LC-2233

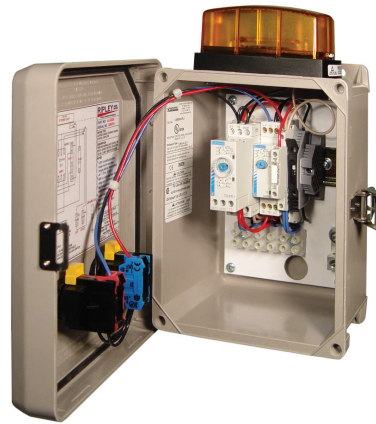


Exclusive Features

NEMA 4x, (weatherproof)
Fiberglass Reinforced
Polyester Enclosure

NEMA 4x, (weatherproof)
108,000 Candlepower
Amber Strobe Light

Contactor Panel
Mounting Hardware Kit



**Integrated override timer
for contactor controlled
game court lighting**

Allows conventional game court lighting controls to be overridden, for 2-hours; then ten minutes prior to expiration of the override, amber strobe begins flashing to alert users that override will end in ten minutes

Designed as an add-on unit for lighting contactor control panels, the LC-2233 provides a convenient means of interfacing with new or existing lighting contactor control circuits to provide manually initiated timed override of conventional photocontrols and/or time-of-day clocks.

Operation Press the "Start" button to activate internal factory-set, electronic 2-hour override timer. Ten minutes prior to the end of override cycle, the top-mounted amber strobe will begin to flash, signalling the override cycle is about to expire; a subsequent press of the "Start" button will initiate a new 2-hour override. Pressing the "Off" button at any time during the override cycle will interrupt the 2-hour cycle and begin to flash the strobe; signalling the override cycle is about to expire. After ten minutes, strobe and controlled lights will turn off indicating the end of the manually initiated override.

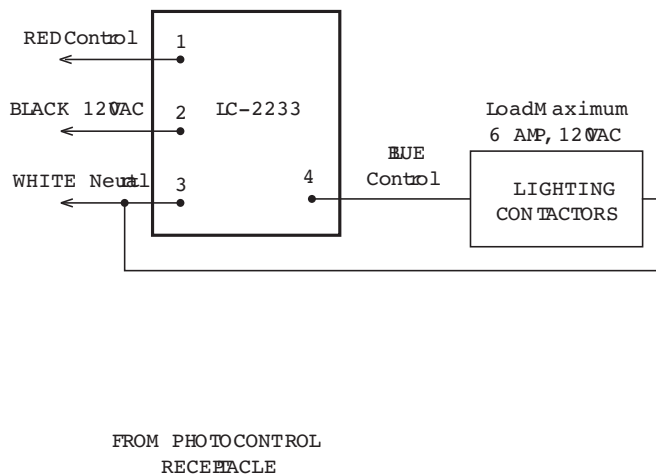
Phone: (803) 939-4700
Fax: (803) 939-4777
Email: info@RipleyLightingControls.com

www.RipleyLightingControls.com

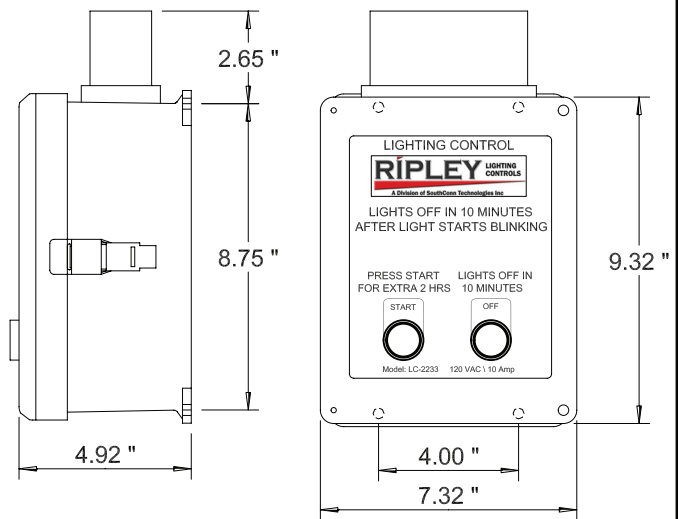
Technical Information Continued on Next Page

Game Court Timer Control

Electrical Information



Mechanical Information



LC-2233

Enclosure	NEMA 4X (weatherproof), Fiberglass Reinforced Polyester Height 9-3/8" (236mm), Width 7-3/8" (186mm), Depth 5" (127mm)
Nominal Voltage 50/60 Hz	120
Relay Output Load Rating	120 VAC, 6 amp
Fail Mode	Off
Internal Circuit Load Protection	6 amp fuse on supply side
Amber Strobe Light	120 VAC, NEMA 4X, 80 flashes per minute, 108,000 candle power peak
Override Timer	Single shot, factory set at 2 hours (adjustable)
Amber Strobe Alert Timer	Multifunction, factory set at Delay on Break, 10 minutes (adjustable)
Switches	"START" (N.O.), "OFF" (N.C.)
Wiring Termination Block	6 terminals; 4 used, 2 spare

Ripley Lighting Controls partnering with industry leaders assuring highest quality products.

Meets or exceeds rigid quality requirements of Ripley Lighting Controls

Phone: (803) 939-4700
Fax: (803) 939-4777
Email: info@RipleyLightingControls.com

© 2021 by Ripley Lighting Controls, a Unit of Electroswitch. All rights reserved. The information in this document is provided for informational use only and is subject to change without notice.