

Control Contactor Pedestal

CC1002NOCISWL1C1

Applications

- Highways
- Parking Lots
- Secure Areas
- Industrial Plants
- Schools
- Airports
- Stadiums
- Billboards

Rugged Durable Design

Proven Performance

Real World Tested

Consistent Reliability

Quality Components

Maintenance Friendly

Accessories

6390-TF Photocontrol

RC8744 PhotoClock™

6005 Shorting Cap

J004068 Ground Sleeve

To see our full product line,
specification sheets and more,
go to www.ripleylightingcontrols.com

Phone: (803) 939-4700
Fax: (803) 939-4777
Email: info@RipleyLightingControls.com

www.RipleyLightingControls.com



Shown with Photocontrol
(Photocontrol Sold Separately)



Specifications

- Lighting Contactor
- 120/240 VAC
- 100 AMP
- 2 Pole
- 360° Swivel Photocontrol Receptacle*
- Supply Side (Line) Breaker
- MOV Surge Protection
- Neutral Block & Ground Lug
- Control (Pilot) Voltage 120 VAC
- NEMA 3R Rainproof Pedestal Enclosure (45"x17"x10")
- 1/4" Clear Polycarbonate Window
- Padlockable Latch

CC

100

2

User
Options

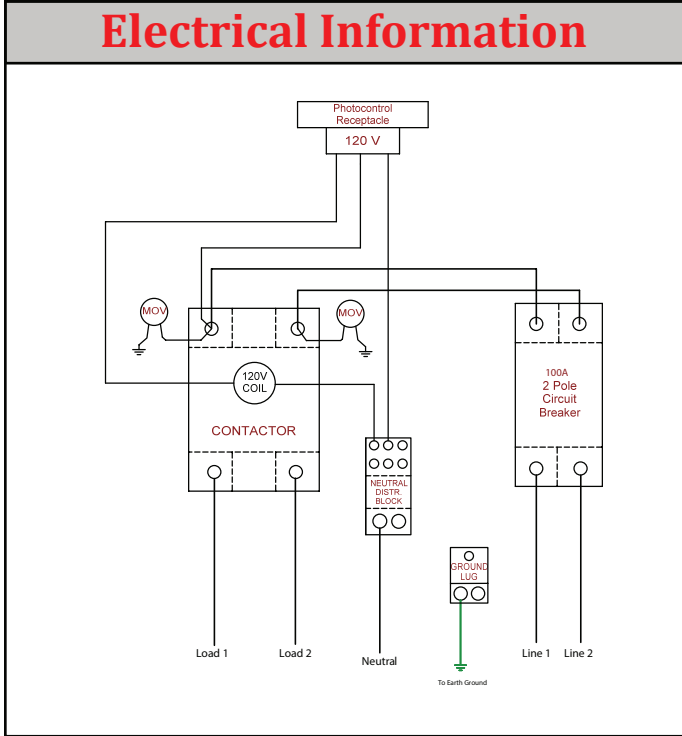
120/240

Technical Information Continued on Next Page

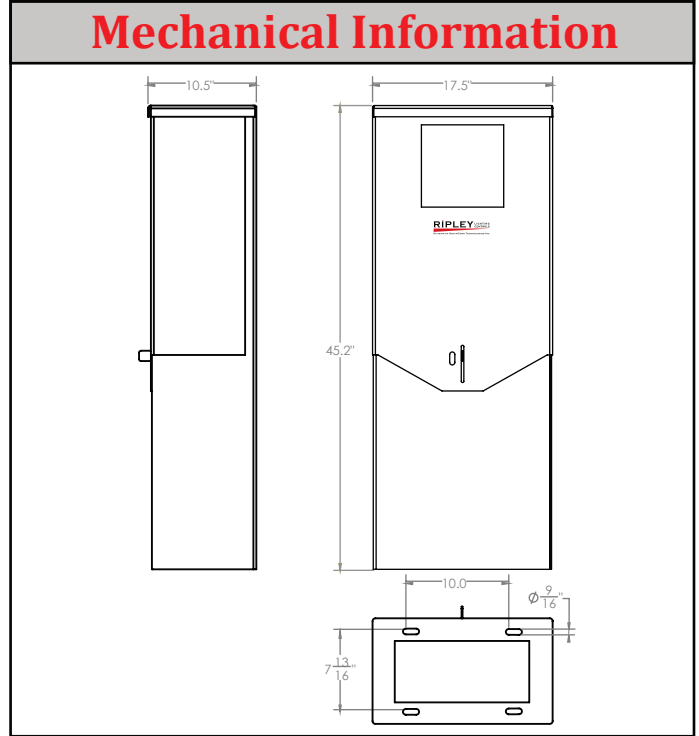


Control Contactor Pedestal

Electrical Information



Mechanical Information



CC1002NOCISWL1C1

Amps (Per Pole)	100
Poles	2
Supply Voltage (Line)	120/240 VAC
Control Voltage (Pilot)	120
Pilot Type	Photocontrol Receptacle
Switches	Not Applicable
Circuit Load Protection	Supply Side (Line) Breaker
Surge Protection	MOV Internal
Wiring Termination Block	Neutral Block & Ground Lug
Enclosure	NEMA 3R (Rainproof) Pedestal
Enclosure Dimensions	10.5"x17.5"x45.2"
Contactor Type	Electromechanical Contactor, N.O.

CC

100

2

User Options

120/240

Designed for underground wiring applications, powder coated in Munsell green assuring environmental blending.

Ripley Lighting Controls partnering with industry leaders assuring highest quality products.

Meets or exceeds rigid quality requirements of Ripley Lighting Controls

Phone: (803) 939-4700
 Fax: (803) 939-4777
 Email: info@RipleyLightingControls.com

© 2021 by Ripley Lighting Controls, a Unit of Electroschwitch. All rights reserved. The information in this document is provided for informational use only and is subject to change without notice.