

Twist-Lock Ancillary Power Tap



For Convenient Access To 120 Volt Ancillary Power From Lighting Poles



Use for powering:

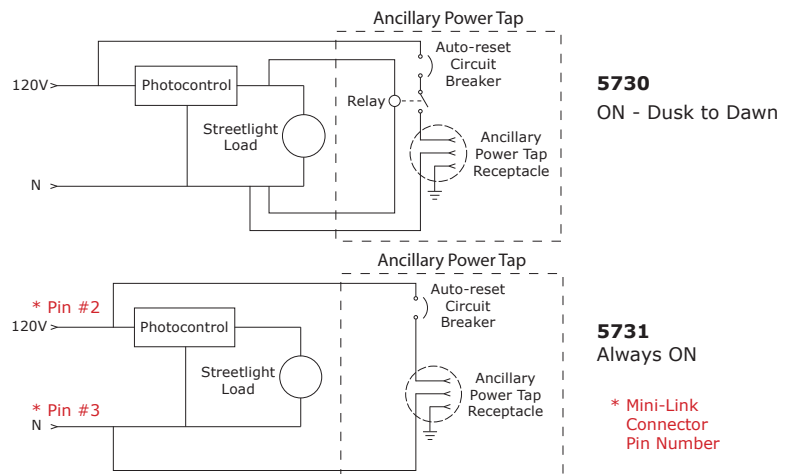
- Decorative Holiday Lighting
- WiFi (802.11) Hot Spots
- Monitoring Systems
- Cameras, Radios, etc.

Exclusive Features

- Draws Power Directly From Streetlight Luminaires
- Low Profile (4" Tall)
- Solid Brass Contact Blades
- Simple Twist-lock Mounting Into Existing Twist-lock Outlet
- Auto Reset Breaker
- Independent Relay Will Not Overload Photocontrol (Luminaire is protected)
- No Hard Wiring Required
- Universal Plug And Receptacle
- Rugged UV Stabilized Permanent Color, High Impact Resistant ABS Housing
- Heavy Duty, Utility Grade, Built For Harsh Outdoor Elements And Environment

Meets or exceeds rigid quality requirements of applicable ANSI C136.10 and C136.24 Standards

	5730-05	5731-05
Configuration	On from dusk to dawn Photocontrol maintains normal operation	Always On Photocontrol maintains normal operation
Nominal Voltage 60 Hz	120	
Voltage Range	105–135	
Base	Standard 3-prong twist-lock per ANSI C136.10	
Housing	3-1/2" Diameter Polypropylene	
Cord Length	5 Feet (Standard) - Other cord lengths available	
Cord Connection *	available with pigtail, 2-prong receptacle, or 3-pole Female Mini-Link	
Circuit Breaker	10 amp, auto-reset	
Load Rating	10 amp	
Operating Temperature	-40C to +70C (-40F to +158F)	
Photocontrol	Not included. Sold separately	
Dielectric Strength	5000 Volts between current carrying parts and metal surfaces	
* Cord Connection Options	Option Code (Add to end of Model Number)	
Pigtail	-1	
2-prong receptacle	-2	
3-pole Female Mini-Link	-3 (special order)	



Example Order #: 5730-05-1 signifies a 5730 Ancillary Power Tap (On from dusk to dawn), with pigtail cord connection