

# Wire-In Photocontrol Hazardous Location Unit

## Exclusive Features

- Explosion proof
- Dust-ignition proof
- Weatherproof
- Tamper Resistant
- Tempered Glass Lens  
3/8" thick

Double-Sided  
Plated-Through  
Circuit Board (DSPT)  
for durability and reliability

Quad-Gate Technology  
for precision  
and consistency

Full Wave Rectification

Dual Zener Diodes

320 Joule MOV

Solid Brass Contact Blades

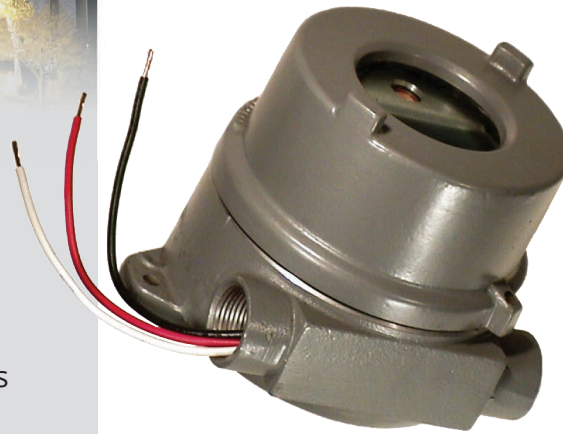
Internal and External Ground  
Screws Standard

Meets or exceeds rigid quality  
requirements of applicable ANSI  
C136.10, and C136.24 and C136.41

LIMITED WARRANTY: 1 year from date of manufacture

Phone: (803) 939-4700  
Fax: (803) 939-4777  
Email: info@RipleyLightingControls.com

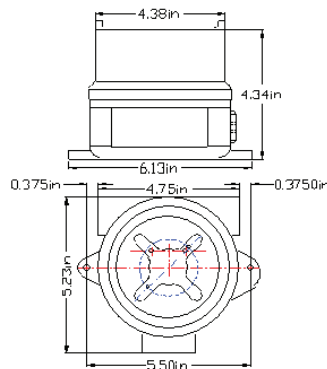
[www.RipleyLightingControls.com](http://www.RipleyLightingControls.com)



Outdoor Lighting Control  
For Exterior Lighting In  
Hazardous Locations

Tank Farm Lighting  
Building Perimeter Lighting  
Exterior Process Lighting  
Loading/Unloading Rack Lighting

	<b>86390HL</b>
Nominal Voltage 60 Hz	120 / 208 / 240 / 277
Voltage Range	105—305
Fail Mode	On
Load Rating	1000 Watt Tungsten / 1800 VA Ballast
Operating Temperature	-40C to +70C (-40F to +158F)
Photocell	Encapsulated Silicon Phototransistor
Dielectric Strength	5000 Volts between current carrying parts and metal surfaces
Surge Protection	320 Joule MOV / 10,000 amp surge current
Power Consumption	0.5 watts @ 120 V
Time Delay Off (Instant On)	3 to 5 seconds
Operating Light Levels (Standard Settings)	Turn On 1.5 FC ± .25 / Turn Off by 2.25 FC (Off:On Ratio = 1.5:1)
Housing	Sand cast copper-free aluminum - epoxy powder coated
Gasket	Neoprene O-ring
Wiring Connections	3 #14 AWG Stranded
	Option Code 1 (Add to end of Model Number)
Denotes Turn On point in FC	Specify 0.3—5.0 FC



### Certifications and Compliances:

UL Classified  
CSA Certified  
FM Approved for:  
Class I, Div 1 & 2, Group B, C, D\*  
Class II, Div 1 & 2, Group E, F, G  
Class III

Nema 3, 4, 7 BCD\*, 9 EFG  
Cenelec EEx d II B IP66

\* When sealed within 18" of unit as per  
NEC Sections 501-5 and 502-5



Example Order #: 86390HL-1.0 signifies a 86390HL Hazardous Location  
Photocontrol with a Turn On setting of 1.0 FC